

# Xios XG Supreme

With 33 lp/mm\* and a CSI scintillator, the Xios XG Supreme sensor provides a reliable partner for any practice. High-quality images with the convenience of immediate availability on your computer for diagnosis.



## Advantages:

- ▶ Premium image quality
- ▶ Dynamic sharpening slider for individual image optimization
- ▶ Easy cable exchange

## Multiple sensor sizes

Xios XG Supreme sensors are available in three different sizes:

- Size 2:** Adult bitewing and single tooth images
- Size 1:** Single tooth images for smaller adults, patients with a shallow palate and bitewings for larger children
- Size 0:** Pediatric images

## Various cable lengths

The choice of various cable lengths facilitates flexibility, regardless of the operatory size and configuration.

**Options:** 90 cm, 180 cm, 270 cm cables

## Proven image sharpness

Outstanding image quality is just the beginning with Xios XG Supreme intraoral sensors. The dynamic sharpening slider allows you to adjust your diagnostic settings in terms of sharpness. Additional slider options are available for modifications in brightness and contrast. After configuration, images are displayed in an efficient way to enhance your diagnostic capabilities, saving you valuable time. With just the click of your mouse, you get the right image for every treatment situation and ultimate clinical support.



## Filtering enhancements

With Xios XG Supreme sensors you have the option of five different filtering options: General Dentistry, Endodontics, Periodontics, Restorative and Hygiene. These clinically specific views are designed to optimize your diagnosis, enhancing the image to suit your needs.

## USB or WiFi connectivity options

With the Xios XG sensors, you have the option of USB or WiFi connectivity for optimal flexibility. The use of Xios XG Supreme sensors in combination with the USB 3 interface allows for accelerated information read-out and optimized data transfer. A smooth transition between the technologies is possible at any time with just the change of the cable.



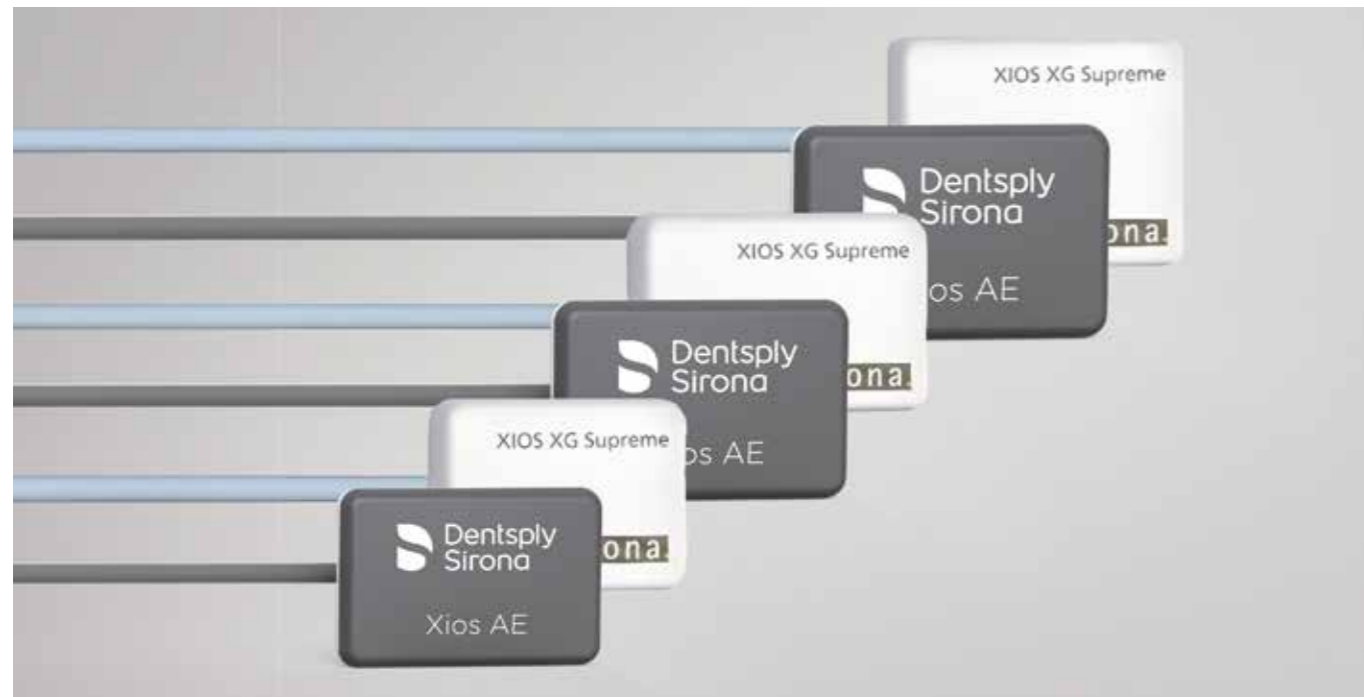
Proven and safe with the USB module



Safe and flexible with the WiFi module

## The right sensor for every case

Xios AE and Xios XG Supreme sensors offer the best integration into your workflow and ultimate image quality. Multiple sensor sizes allow for a truly customized experience for each and every patient and their unique situation. True efficiency in your workflow is facilitated by seamless integration and ease of operation.



## Exchangeable cable

Cables cost a fraction of the price of a new sensor and can be purchased at any time ensuring no lost productivity for the user should a cable be damaged. The damaged cable can be replaced within minutes just by loosening two screws and you can do this completely chairside – protecting your investment without missing a beat.



## The highest degree of flexibility

The modularity of the Dentsply Sirona intraoral family provides the opportunity to meet every dentist's individual needs with a customized solution tailored to their practice. Whether you have a relatively small practice with a few operatories or a large practice or clinic, all products can be configured to fit your requirements and preference. This allows for a smooth integration into your daily workflow and optimum results.



### Sophisticated installation

The Heliident Plus offers a broad range of mounting options to allow for optimum configuration in each treatment room. The equipment has been designed to support your treatment style and permits you to work exactly how you're comfortable.



### Sensor cable exchange

Multiple cable lengths and an easy-to-change cable help to provide flexibility in your workflow and extra security on your investment making sure you're never left without a sensor.



### Connectivity

Solutions from Dentsply Sirona, whether USB or WiFi compatible, ensure that you can work quickly and efficiently, while maintaining outstanding quality.

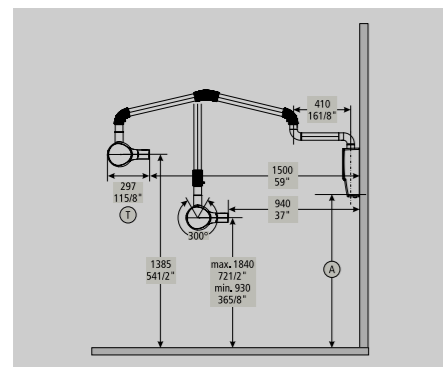


### Multiple sizes

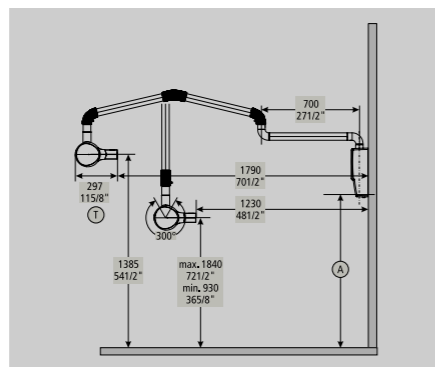
Both the imaging plates and sensors are available in multiple sizes, enabling even greater customized solutions for every patient and treatment situation.

## Technical data

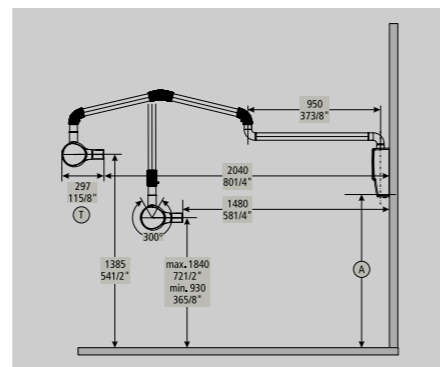
Heliodent Plus	
Generator type	High-frequency generator for constant high voltage
Tube voltage	Adjustable between 60 kV and 70 kV
Tube current	7 mA
Focal spot	0.4 (IEC 336)
Line voltage	120-240 V $\pm$ 10 % without switching, 50/60 Hz
Exposure time	Incrementally adjustable from 0.01 to 3.2 s
Detector media	Preset for film and Xios AE and Xios XG Supreme sensors, exposure times can be individually adjusted, also for imaging plates and other sensor systems
Display	Multicolored display to show the different system states
Focus-to-skin distance	Standard 20 cm, optional 30 cm
Available installation options	Wall-mounted installation with three arm lengths, model mounted on treatment center, installation with manual release, remote control or remote timer, ceiling model, ceiling combination with LEDview, mobile model



Heliodent Plus, medium support arm\*



Heliodent Plus, long support arm\*



Heliodent Plus, extra long support arm\*

Xios AE	
<b>Sensors</b>	
Sensor 0: Active surface	18 mm x 24 mm
Sensor 0: Overall dimensions	23.1 mm x 31.6 mm x 8.2 mm
Sensor 1: Active surface	20 mm x 30 mm
Sensor 1: Overall dimensions	25.1 mm x 37.6 mm x 8.2 mm
Sensor 2: Active surface	25.6 mm x 36 mm
Sensor 2: Overall dimensions	30.7 mm x 43.7 mm x 8.2 mm
Physical pixel size	15 $\mu$ m
Measured resolution	28 lp/mm
Theoretical resolution	33 lp/mm
Sensor cable length	Up to max. 2.7 m
<b>USB interface</b>	
USB port of USB interface	USB 3
Power supply	USB port

Xios XG Supreme	
<b>Sensors</b>	
Sensor 0: Active surface	18 mm x 24 mm
Sensor 0: Overall dimensions	23.6 mm x 32 mm x 7.5 mm
Sensor 1: Active surface	20 mm x 30 mm
Sensor 1: Overall dimensions	25.4 mm x 38.3 mm x 7.5 mm
Sensor 2: Active surface	25.6 mm x 36 mm
Sensor 2: Overall dimensions	31.2 mm x 43 mm x 7.5 mm
Physical pixel size	15 $\mu$ m
Measured resolution	28 lp/mm
Theoretical resolution	33 lp/mm
Sensor cable length	Up to max. 2.7 m
<b>USB interface</b>	
USB port of USB interface	USB 2
Power supply	USB port
<b>WiFi</b>	
Technology	IEEE 802.11b/g
Charging station for WiFi function	Storage device and charger with LED status display

\* Exact dimensions of installation in the installation requirements

## PC Requirements

### Requirements for Sidexis 4

Specification for one server and an unlimited number of workstations.

	Sidexis 4 Server	Min. for 2D Workstation	Min. for 3D Workstation
Operating system*	Windows Server 2012 R2 Windows Server 2016 Windows Server 2019	Windows 8.1 Pro (64 bit) Windows 10 Pro (64 bit)	Windows 8.1 Pro (64 bit) Windows 10 Pro (64 bit)
CPU	$\geq$ 2.3 GHz QuadCore Processor with 64 bit (x64)	$\geq$ 2 GHz DualCore	$\geq$ 2.3 GHz QuadCore Processor with 64 bit (x64)
RAM	$\geq$ 8 GB	$\geq$ 4 GB	$\geq$ 8 GB
Graphic card	any	any	any
DirectX	DirectX 10 with WDDM 1.0 or higher driver	DirectX 9.0c	DirectX 10 with WDDM 1.0 or higher driver

\* For 64-bit operating systems, installation under Boot Camp is also approved.