

THE DENTAL
SOLUTIONS
COMPANY™



Intraoral Imaging

Advanced technology for better care

dentsplysirona.com/intraoral



Dental professionals trust in Dentsply Sirona solutions

Dentsply Sirona Imaging systems provide the highest quality diagnostics, providing an array of options to support you and your practice in delivering the best possible care to your patients. We realize that every dental professional is unique in the way you work and the technology in your office should reflect that. Our intraoral product portfolio provides a number of custom options to support your individual practice and workflow.



“I have used an array of sensors over the years, but with the new Schick AE sensor from Dentsply Sirona, I saw an immediate improvement in my image quality. With the advanced filtering enhancements and optimizations I am confident that I am seeing all of the clinical details needed to support an accurate diagnosis.”

Dr. Douglas M. Schulz, Leawood, KS



“The ease of positioning means I expose better quality images for my doctors, meaning my patients are not re-exposed to additional radiation. The quality, comfort and safety of the Schick 33 sensor make it an essential tool in the provision of elevated and comprehensive patient care”

Katrina Sanders RDH, Phoenix, AZ



“The Sidexis 4 imaging software is intuitive, making it easy to manipulate images to gain greater diagnostic capabilities. The software allows us to display and process 2D, 3D, and intraoral images simultaneously, which helps both with planning and diagnosis.”

Dr. Clark Brown Jr., Melbourne, FL



“In our practice we treat patients of all age ranges and it’s really important that we have the right technology and imaging tools to support this. My Schick sensors and Heliodent Plus X-ray unit allow me to adjust my equipment and settings to each unique situation and patient, while supporting my individual workflow preferences.”

Dr. Mona Patel, Whitefish Bay, WI





Image, diagnose and treat with confidence

For many patients a healthy smile begins with a clear, reliable image. Our leading intraoral technologies provide outstanding image quality, which leads to more confident diagnoses and additional treatment possibilities. Our intraoral product portfolio provides solutions to help increase case acceptance and fit the needs of your practice in order to better service your patients.

Outstanding image quality

Optimum diagnostic reliability thanks to high-resolution images at the lowest dose.

Flexibility through modularity

Enjoy the wide range of modular product offerings, built to support the customization of your individual workflow.

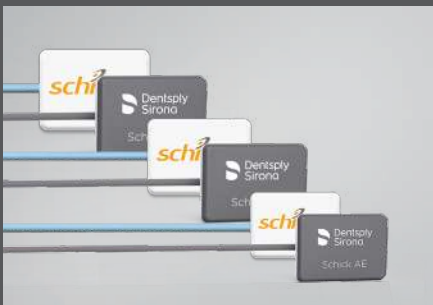
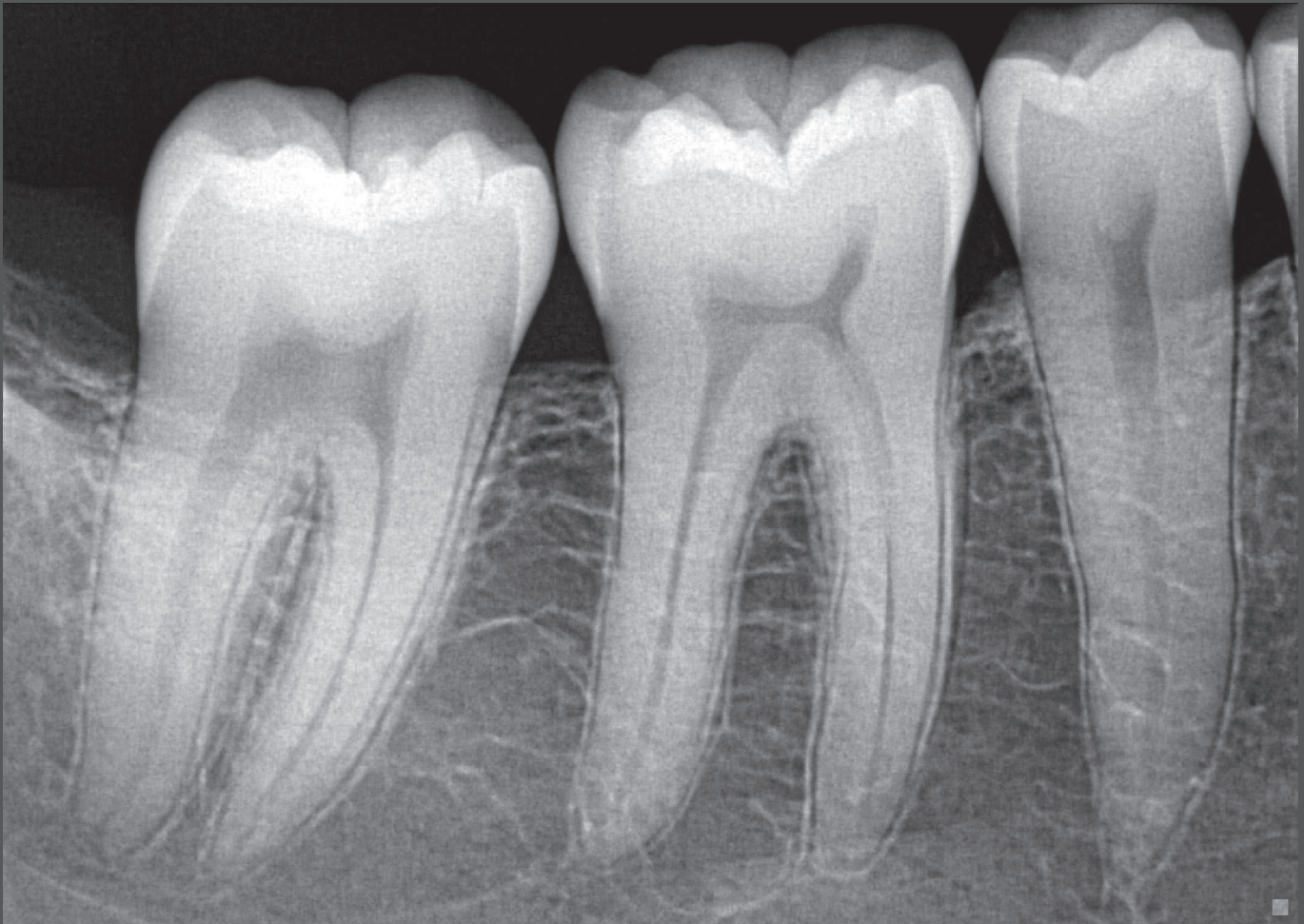
Safety and quality

Dentsply Sirona quality means that your technology comes with the the highest level of durability, reliability and superior craftsmanship.

Focus on exceptional image quality

Be it the sensors or X-Ray generators, the image quality from Dentsply Sirona's intraoral X-ray portfolio speaks for itself. Using the lowest dose necessary according to the ALARA* principle is just another reason why our intraoral X-rays are an excellent fit for your practice.

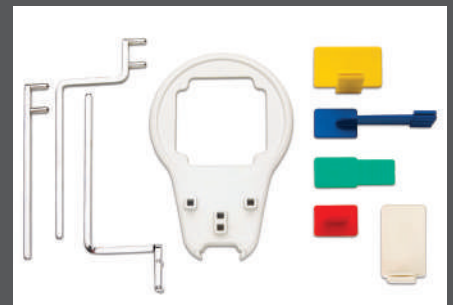
Through the combination of our intraoral X-ray products, from the X-ray generator to the positioning system, the benefits are endless and can take your practice to the next level.



Schick AE and Schick 33



Heliodent Plus



AimRight Positioning System

*As Low As Reasonably Achievable

The right solution for every workflow

Whether you're introducing digital technology to your practice or updating an already fully digital practice, Dentsply Sirona's intraoral product family has the right solution to support your workflows and fit your individual needs.



1 AimRight Adhesive and AimRight Grip

With the AimRight positioning systems you get the ultimate support for accurate and simple image capture.



2 Heliodent Plus

The modularity of the X-ray generator, Heliodent Plus, enables it to adapt to your practice's surroundings, forming the basis for optimum X-ray images and allowing quick and safe operation.



3 Sidexis 4

Featuring a modern user interface and intuitive tools - Sidexis 4 is the new centerpiece of the Dentsply Sirona X-ray family.



4 Schick AE and Schick 33

With the Schick intraoral sensors, you get X-ray images in HD quality and diagnostic-focused filter functions, in addition to a quicker and more flexible way of working.

Sidexis 4 software

The modern and highly intuitive imaging software supports clear diagnosis.

With its award-winning user interface, Sidexis 4 promotes an accessible workspace and clear navigation, saving valuable practice time and allowing for optimal patient communication.



Simplify your digital workflow

Even the best hardware is only truly optimized when paired with the proper software solution. Schick sensors and Sidexis 4 seamlessly integrate to provide ultimate diagnostic support in your practice. With tools such as the dynamic sharpening slider and the clinically specific enhanced filtering options, your images are ready to support your treatment evaluation.

Integrated Workflows

Sidexis 4 can be easily integrated into your practice and intuitively operated. The software also offers additional possibilities beyond image diagnosis, keeping your practice equipped for growth and opportunity.

Modern, intuitive design

Sidexis 4 offers a completely new, updated look. Beyond the impressive aesthetics, it boasts an intuitive operating approach and clear design. The new Timeline function also offers you an easy-to-navigate patient diagnosis and treatment history.

Seamless 2D/3D

With Sidexis 4, you can view 2D and 3D data simultaneously side by side without switching between programs. This saves you valuable time and cross-comparisons provide you with increased confidence in your final diagnosis and treatment plan.

Compare

Sidexis 4 compares two CBCT images or up to four 2D images simultaneously. For example, you can navigate through both volumes at the same time, obtain cross-comparisons at a glance and provide clear patient communication and case presentation.



Schick AE

The advanced exposure technology of the Schick AE sensor combines the outstanding resolution of 33 lp/mm* with optimized data read-out and exclusive innovative filtering functions to maximize your diagnostic potential.



Advantages:

- Brilliant image quality with optimized diagnostic filtering
- High dynamic range
- Dynamic sharpening slider for individual image enhancement
- Improved USB data transfer
- Easy cable exchange

Multiple sensor sizes

Schick AE sensors are available in three different sizes:

Size 2: Adult bitewing and single tooth images

Size 1: Single tooth images for smaller adults, patients with a shallow palate and bitewings for larger children

Size 0: Pediatric images

Various cable lengths

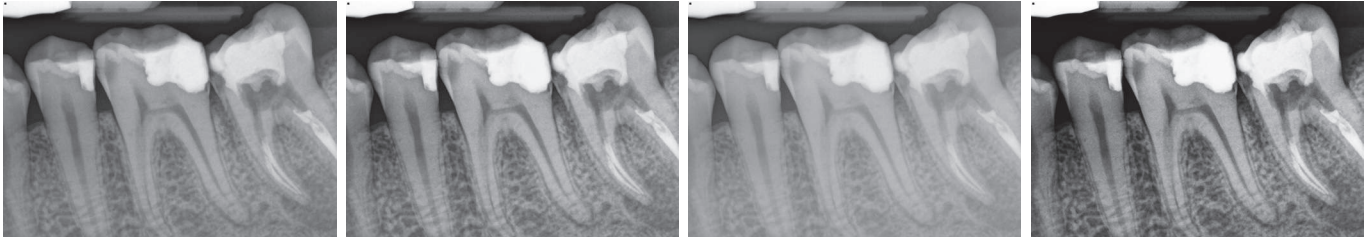
The choice of various cable lengths facilitates flexibility, regardless of the operator size and configuration.

Options: 3 ft., 6 ft., 9 ft. cables

*Theoretical resolution

Supported diagnostic confidence

Schick AE sensors offer advanced filtering enhancements in order to highlight relevant anatomical structures to support an accurate and detailed diagnosis. Low-noise images, visibility of formerly underexposed or overexposed image areas and dedicated filtering in indications such as endodontics or tooth decay, provide a relevant advantage in diagnostic certainty.



General Dentistry

Endodontics

Periodontics

Restorative

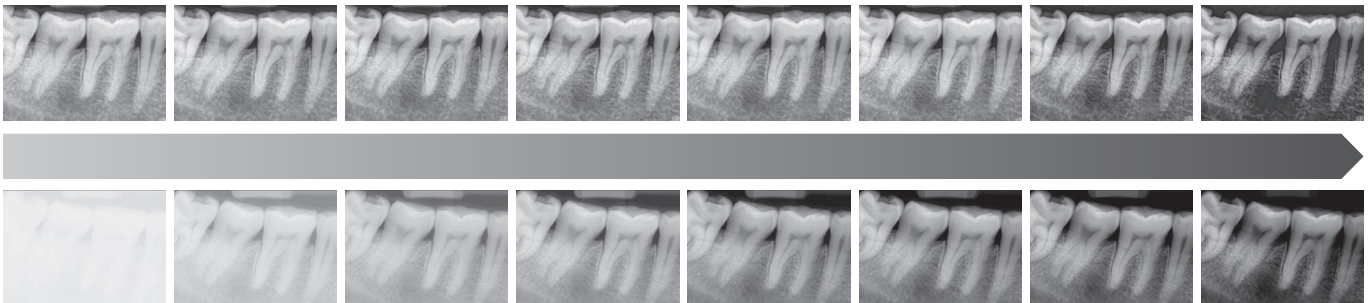
Dynamic sharpening slider

To further optimize your image, you can use the dynamic sharpening slider to adjust the sharpness, with the option to also alter brightness and contrast. All it takes is a simple configuration and the images are examination ready - displayed to support your diagnosis and improve workflow efficiency.

High dynamic range with responsive exposure reaction

Dose sensitivity and subsequent data processing are essential for the achieved image quality. The broadened exposure spectrum of Schick AE sensors is more resistant to fluctuations in exposure. Even in lower dose ranges, more details become evident.

Schick AE



Standard sensor

USB connectivity

The use of Schick AE sensors in combination with the new USB 3 interface allows for accelerated information read-out and optimized data transfer. Protected connection plugs provide additional durability in daily practice use.



Schick 33

With 33 lp/mm* and a CSI scintillator, the Schick 33 sensor provides a reliable partner for any practice. High-quality images with the convenience of immediate availability on your computer for diagnosis.



Advantages:

- Superior image quality
- Dynamic sharpening slider for individual image optimization
- Easy cable exchange

Multiple sensor sizes

Schick 33 sensors are available in three different sizes:

Size 2: Adult bitewing and single tooth images

Size 1: Single tooth images for smaller adults, patients with a shallow palate and bitewings for larger children

Size 0: Pediatric images

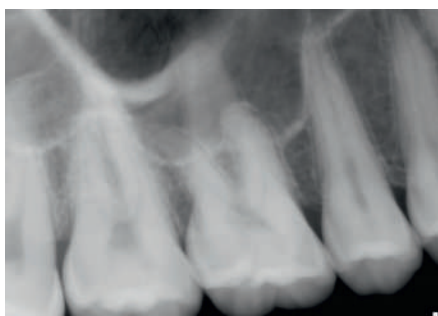
Various cable lengths

The choice of various cable lengths facilitates flexibility, regardless of the operatory size and configuration.

Options: 3 ft., 6 ft., 9 ft. cables

Proven image sharpness

Outstanding image quality is just the beginning with Schick 33 intraoral sensors. The dynamic sharpening slider allows you to adjust your diagnostic settings in terms of sharpness. Additional slider options are available for modifications in brightness and contrast. After respective configuration, the images are displayed in an examination-optimized way for your diagnosis, saving valuable time in your practice. With just the click of your mouse, you get the right image for every treatment situation and ultimate clinical support.



0%



50%



100%

Filtering enhancements

With Schick 33 sensors you have the option of five different filtering options: General Dentistry, Endodontics, Periodontics, Restorative and Hygiene. These clinically specific views are designed to optimize your diagnosis, enhancing the image to suit your needs.

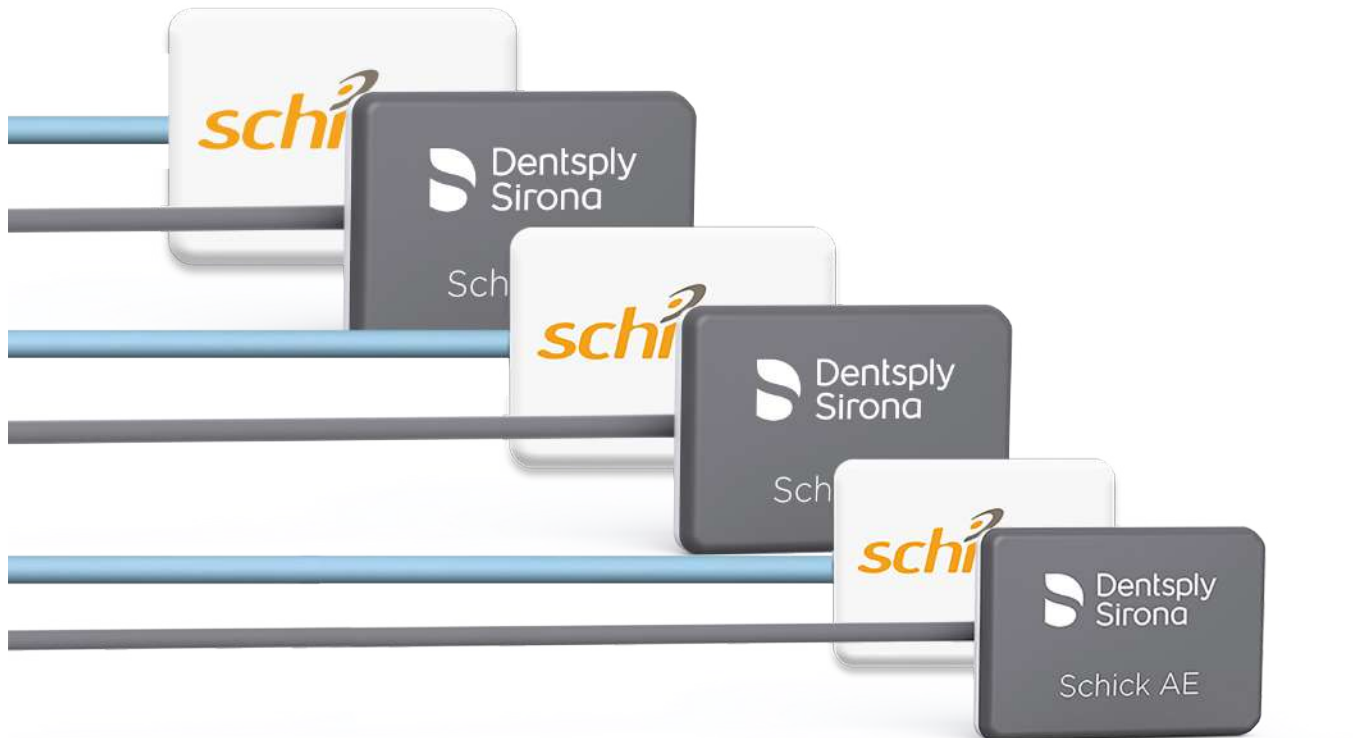


Connectivity

Optimal flexibility and security with the USB 2 interface, supporting a safe and proven workflow solution.

The right sensor for every case

Schick AE and Schick 33 sensors offer the best integration into your workflow and ultimate image quality. Multiple sensor sizes allow for a truly customized experience for each and every patient and their unique situation. True efficiency in your workflow is facilitated by seamless integration and ease of operation.



Exchangeable cable

In the event a cable is damaged, you can change it completely in-house and within minutes. Replacing cables is as simple as loosening two screws, saving time and guaranteeing no lost productivity while protecting your investment. A spare cable



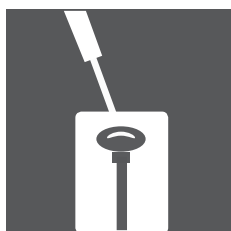
The highest degree of flexibility

The modularity of the Dentsply Sirona intraoral family provides the opportunity to meet every dentist's individual needs with a customized solution tailored to their practice. Whether you have a relatively small practice with a few operatories or a large practice or clinic, all products can be configured to fit your requirements and preference. This allows for a smooth integration into your daily workflow and optimum results.



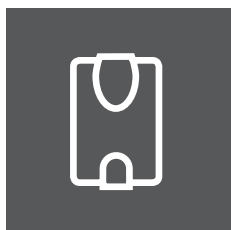
Sophisticated installation

The Heliident Plus offers a broad range of mounting options to allow for optimum configuration in each treatment room. The equipment has been designed to support your treatment style and allow you to work exactly how you're comfortable.



Sensor cable exchange

Multiple cable lengths and an easy-to-change cable help to provide flexibility in your workflow and extra security on your investment making sure you're never left without a sensor.



Connectivity

The USB interface is more durable than a standard USB connection and supports optimized data transfer, ensuring your intraoral imaging is efficient and secure.



Multiple sizes

Both the imaging plates and sensors are available in multiple sizes, enabling even greater customized solutions for every patient and treatment situation.

Heliodent Plus

The Heliodent Plus intraoral X-ray unit allows for optimal functionality in every practice. The modularity of its installation options and its image quality surpass every expectation.



Advantages:

- Safe and intuitive operation
- Flexibility with three optional arm lengths
- Remote functionality
- Robust quality ensuring durability and security of investment

Smart design for stable positioning and ultimate image quality

Heliodent Plus offers a 0.4 mm focal spot and vibration-free components to ideally support your workflow.

Intuitive and flexible

Significantly reduce obstacles with clear user options and numerous installation configurations, the Heliodent Plus provides a reliable partner for a truly flexible workflow – supporting the unique needs of your practice.

Sophisticated installation

Thanks to its various installation options, the Heliodent Plus can be easily adapted to fit every X-ray situation, regardless of a room's dimensions or layout. Whether your unit is a wall model, ceiling mount, attached to the Dentsply Sirona treatment center or is a mobile unit, we provide options to support each unique workflow.



Wall model



Remote Control



Remote Timer



Manual release



Heliodent Plus on the treatment center



Heliodent Plus with mobile stand



Heliodent Plus with ceiling mount



Ceiling combination with LEDview Plus



20 cm standard cone



Round cone extension, 30 cm



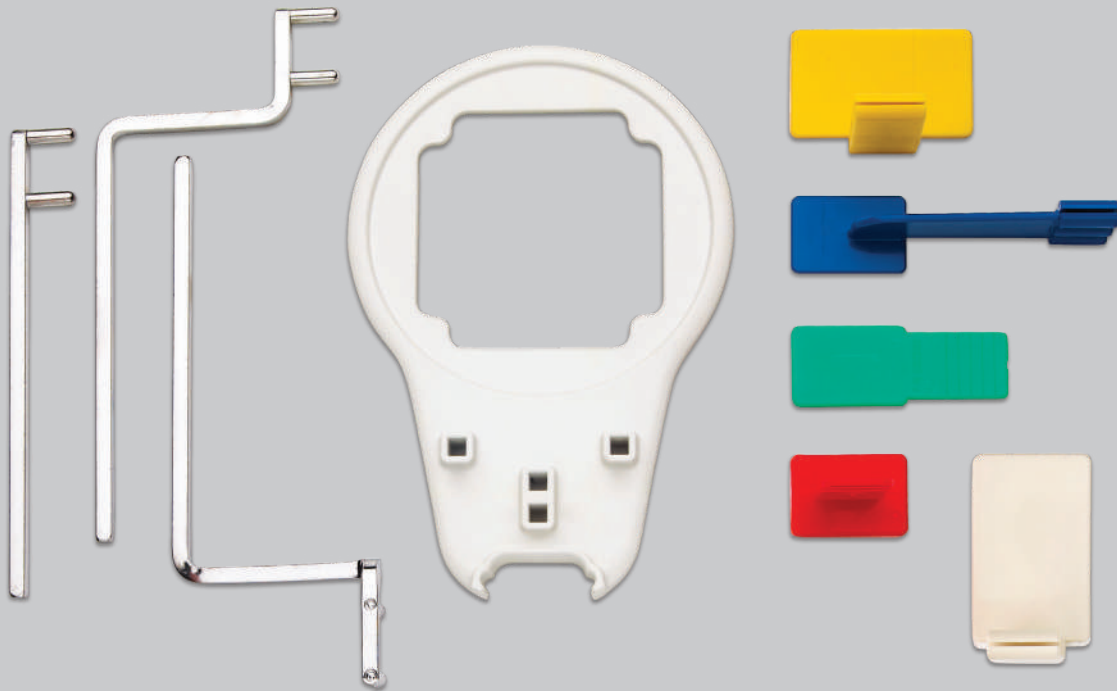
Square cone extension, 30 cm



Configure your Heliodent Plus at:
www.heliodentconfigurator.com

AimRight Adhesive Positioning System

Maximize comfort and convenience without adding to sensor dimensions. Used in multiple configurations, this single-use system is suitable for all patients, regardless of oral cavity size or structure.



Advantages:

- Disposable, for optimum hygiene
- Straightforward color coded system for ease of use
- Can be used with any sensor size or phosphor plate
- Supports accurate intraoral X-ray positioning for better image results

AimRight Grip Positioning System

Featuring a universal aiming ring, unique integrated arm and holder design, this system makes assembly and repeatable positioning easy and straightforward.



Advantages:

- Autoclavable for continuous support and use
- Straightforward color coded-system for ease of use
- Simple assembly and disassembly in between patients
- Supports accurate intraoral X-ray positioning for better image results



SiroCam UAF Plus

Patient communication and case documentation are an integral part of your everyday workflow. With the SiroCam UAF Plus intraoral USB standalone camera, you can achieve all of this at just the touch of a button.



Advantages:

- Improved patient communication
- Images in HD resolution
- Sophisticated liquid lense with autofocus
- Integrated LED lighting support

USB Connectivity

Featuring flexible standardized USB connectivity (USB 2 or 3) to your computers and laptops, and a cable length of 2.4 m, this intraoral camera provides true portability between treatment rooms.

Flexible software compatibility

Seamless integration into Sidexis 4.2 and higher or freely connectable to any imaging software that supports TWAIN-capable devices.



Applications

- Capture intraoral images
- Capture extraoral images (e.g. smile line, full face)
- Capture macro photographs
- Real-time image streaming

User-friendly operation

Straightforward user operation is supported by a multi-function button, generating images in HD resolution and real-time image streaming. The integrated LED light ensures proper illumination in the area of interest.

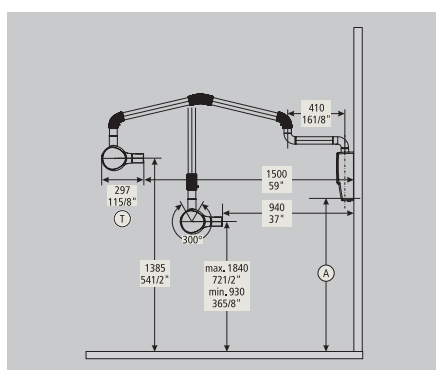
Durable and robust

With an easy to wipe reinforced plastic and glass fiber surface, and hygienic single-use sheaths, disinfection and preparation in between patients can be truly efficient.

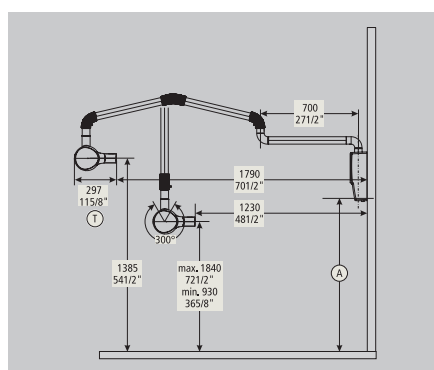


Technical data

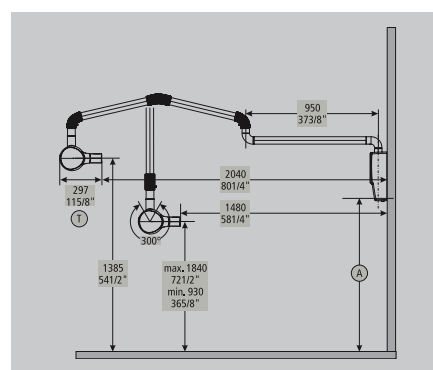
Heliodent Plus	
Generator type	High-frequency generator for constant high voltage
Tube voltage	Adjustable between 60 kV and 70 kV
Tube current	7 mA
Focal spot	0.4 (IEC 336)
Line voltage	120–240 V ± 10 % without switching, 50/60 Hz
Exposure time	Incrementally adjustable from 0.01 to 3.2 s
Detector media	Preset for film and Schick AE and Schick 33 sensors, exposure times can be individually adjusted, also for imaging plates and other sensor systems
Display	Multicolored display to show the different system states
Focus-to-skin distance	Standard 20 cm, optional 30 cm
Available installation options	Wall-mounted installation with three arm lengths, model mounted on treatment center, installation with manual release, remote control or remote timer, ceiling model, ceiling combination with LEDview, mobile model



Heliodent Plus, medium support arm*



Heliodent Plus, long support arm*



Heliodent Plus, extra long support arm*

Schick AE	
Sensors	
Sensor 0: Active surface	18 mm x 24 mm
Sensor 0: Overall dimensions	23.6 mm x 32 mm x 7.5 mm
Sensor 1: Active surface	20 mm x 30 mm
Sensor 1: Overall dimensions	25.4 mm x 38.3 mm x 7.5 mm
Sensor 2: Active surface	25.6 mm x 36 mm
Sensor 2: Overall dimensions	31.2 mm x 43 mm x 7.5 mm
Physical pixel size	15 μ
Measured resolution	28 lp/mm
Theoretical resolution	33 lp/mm
Sensor cable length	3 ft., 6 ft. and 9 ft.
USB interface	
USB port of USB interface	USB 3
Power supply	USB port

Schick 33	
Sensors	
Sensor 0: Active surface	18 mm x 24 mm
Sensor 0: Overall dimensions	23.6 mm x 32 mm x 7.5 mm
Sensor 1: Active surface	20 mm x 30 mm
Sensor 1: Overall dimensions	25.4 mm x 38.3 mm x 7.5 mm
Sensor 2: Active surface	25.6 mm x 36 mm
Sensor 2: Overall dimensions	31.2 mm x 43 mm x 7.5 mm
Physical pixel size	15 μ
Measured resolution	28 lp/mm
Theoretical resolution	33 lp/mm
Sensor cable length	3 ft., 6 ft. and 9 ft.
USB interface	
USB port of USB interface	USB 2
Power supply	USB port

* Exact dimensions of installation in the installation requirements

SiroCam UAF Plus	
Equipment compatibility	Computer/Laptops with USB 2 (USB 3) interface
Sensor technology	1/4 inch CMOS
Saved image resolution	1276 pixels x 796 pixels
Video resolution	824 pixels x 514 pixels
Magnification max	x250
Lens	Autofocus
Power supply	USB (5V)
Activation	Multi-function button operation
Multi station use	Plug & Play
Camera weight	210 g with cable
Camera length	195 mm
Light	LED
Cable length	8 ft

PC requirements Sidexis 4*

Server PC	Minimum requirements	Recommended requirements
Operating system	<ul style="list-style-type: none"> Windows Server 2008 R2 (64bit) Windows Server 2012 R2 (64bit) Windows 7 Pro SP1 (64bit) Windows 8.1 Pro (64bit) Windows 10 Pro (64bit)* * Version 1607, Build: 14393.693	<ul style="list-style-type: none"> Windows Server 2008 R2 (64 bit) Windows Server 2012 R2 (64 bit)
RAM	≥ 4 GB	≥ 8 GB
CPU	≥ 2 GHz DualCore	≥ 2.3 GHz QuadCore processor with 64 bit (x64)
Hard Drive	> 675 GB	> 1 TB
During operation it must be ensured that there is always sufficient hard disk space available.		

Work station PC	min. req. for 2D station	min. req. for 3D station
Operating system	<ul style="list-style-type: none"> Windows 7 Pro SP1 (32 o. 64bit) Windows 8.1 Pro (64bit) Windows 10 Pro (64bit)* * Version 1607, Build: 14393.693	<ul style="list-style-type: none"> Windows 7 Professional, Ultimate (64 bit), also under Bootcamp; Windows 8 Pro (64 bit) Windows 8.1 Pro (64 bit)
RAM	≥ 4 GB	≥ 8 GB
CPU	≥ 2 GHz DualCore	≥ 2.3 GHz QuadCore Processor with 64 bit (x64)
Graphics memory**	≥ 512 MB	≥ 1GB
DirectX	DirectX 9.0c	DirectX 10 with WDDM 1.0 or higher driver
Hard drive	≥ 5 GB	≥ 5 GB

* More information at www.dentsplysirona.com under imaging system requirements. System requirements of the hardware used may vary.

** For the interaction with the 3D-rendered volume to be reliable and "smooth", graphics cards with at least the following Passmark GPU benchmark values are recommended: NVIDIA: Passmark > 1000; AMD: Passmark > 1500; Onboard: > 540

Dentsply Sirona

Dentsply Sirona Academy

13320-B, Ballantyne Corporate Pl, Charlotte, NC 28277, USA

Procedural Solutions

Preventive
Restorative
Orthodontics
Endodontics
Implants
Prosthetics

Enabling Technologies

CAD/CAM
Imaging
Treatment Centers
Instruments