

OBTAIN IMPRESSIVE IMAGES

Match RiX70 DC high frequency X-Ray generator with any of the Trident image receptors and get more than you could have ever imagined.

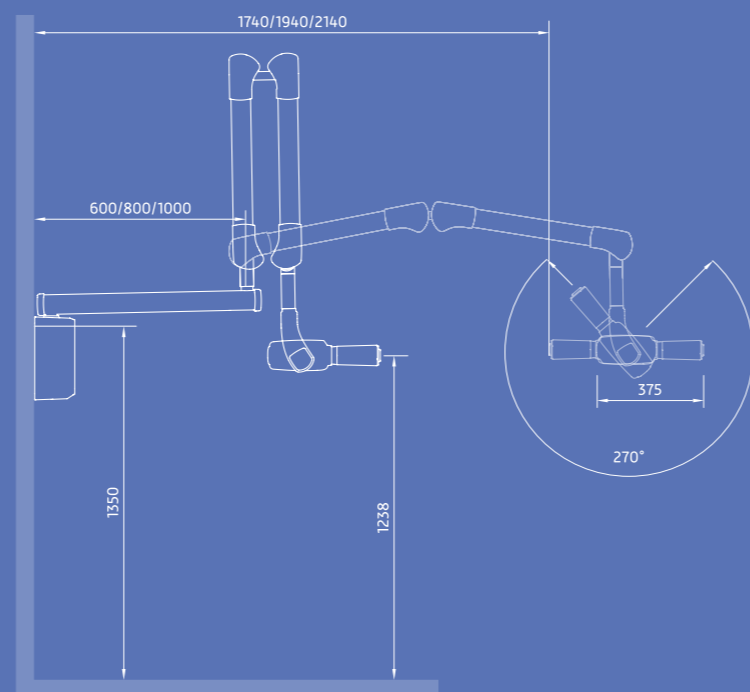


WHAT'S THE SENSE OF DC?

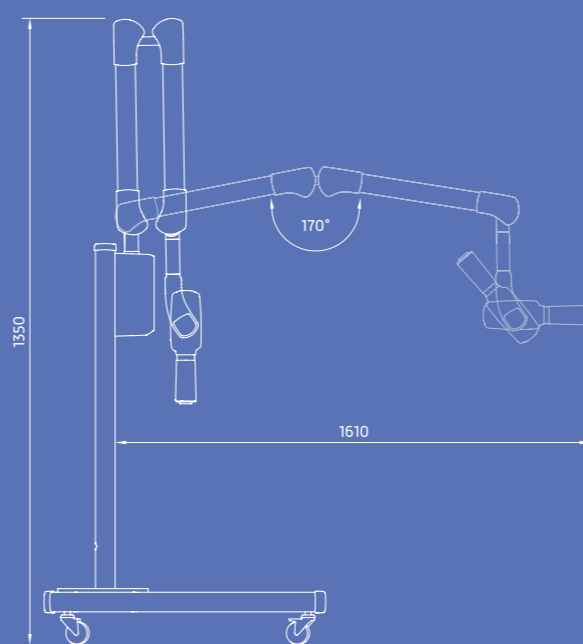
DC means amazing results with all the advantages of the latest electronic technology: rather than using alternating current, RiX70 DC applies a nearly constant potential to the tube. This constant potential supplies the tube with DC current, resulting in a constant stream of consistent radiation that maintains the preset kV values even with mains fluctuations.

SYSTEM SUPPLY		
Supply Voltage	AC100-240V	
Frequency	50/60 Hz	
Electric current	2.7 A @ 240V , 6.4 A @ 100V	
Max Power Consumption	640VA (3 AT fuse)	
X-RAY GENERATOR		
Tube Voltage	60 kVp ± 8% - 65 kVp ± 8% - 70 kVp ± 8%	
Frequency	75 kHz	
Anodic current	7 mA ± 10%	
Output radiation linearity	< 0.2 according to IEC 60601-2-63	
Duty cycle	1:30	
Nominal power	490 W (70 kVp - 7 mA)	
Total filtration	1.5 mm Al eq. @ 70 kVp	
Focal spot	0.4 mm (IEC 60336)	
Leakage radiation at 1 m	< 0.1 mGy/h	
Max thermal capacity of monoblock	130J (convection oil bath cooling)	
Distance focus to skin	20 cm	
Beam diameter X Ray at 200 mm	60mm (optional 36 x 45 mm rectangular collimator)	
X-RAY TUBE		
Manufacturer	Canon	Skan X - CEI (Italy)
Model	D-045	OX70-4
Inherent filtration	< 1 mm Al eq.	0.5 mm Al eq.
Filament current	Max. 3 A	1.5 - 2.1 A
Focal spot	0.4 IEC 60336:2005	
Target material	Tungsten	
Max nominal voltage	70 kV	

WALL MOUNTED VERSION



MOBILE VERSION



Trident S.r.l.

Via Artigiani, 4 25014 Castenedolo
Phone +39 030 2732485
info@trident-dental.com

www.trident-dental.com

TDD4-EN-RI-RiX70 DC

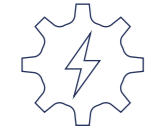
RiX70 DC High frequency intraoral X-Ray generator



Discover a world of images

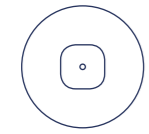
trident

INSIDE RiX70 DC



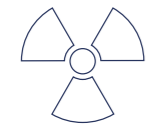
AUTOMATIC VOLTAGE TRANSFORMER

RiX70 DC appropriately works in a range of 100 to 240 V. The electrical system automatically detects the power wattage, allowing a safe and proper functioning with every voltage.



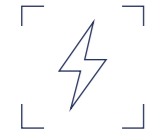
0.4 MM FOCAL SPOT

The base for an accurate diagnostic is a good image. RiX70 DC with focal spot 0,4 mm gives you incredibly clear images with a high contrast range.



REDUCTION OF RADIATION DOSE

The high frequency generator allows radiation stability eliminating the soft radiation that does not produce images but can be harmful for the patient.



TUBE VOLTAGE SELECTOR

RiX70 DC operates either 60, 65 or 70 kV allowing to reach excellent results to satisfy your needs: Voltage 60 kV for caries detection or periodontal applications; 70 kV for endodontic applications, including visualization of canals, detection of root fractures and diagnosis of periapical lesions due to pulpal inflammation.



AUTOMATIC SETTING OF EXPOSURE TIME

From 0.01 to 2.0 seconds, depending on the patient and tooth characteristics

FOR BETTER RESULTS, YOU CAN EASILY:

- Select the exposure parameters according to the patient morphology, tooth type and image receptor.
- Adapt the radiation dose to lower or higher values.
- Modify the exposure time for digital or film.

Discover a world of images

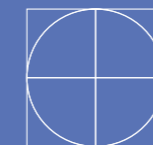
OPTIONAL



35x43 mm
RECTANGULAR COLLIMATOR

REMOTE
TIMER

Install the remote timer outside the X-ray room. Conveniently set the exposure parameters, type of tooth, patient and image receptor and, safely shoot the X-ray. Only available for the wall mounted version. All local command devices are not necessary (control with coiled cord and the small keypad in the tube head support)



MODERN DESIGN FOR PRACTICAL OPERATION

- Compact and light tubehead.
- Steady and strong support arm.
- Hand switch with 3 mt coiled cord.
- Additional keypad installed near the tube head, for manual adjustment of the exposure time and tooth type.
- Easy-to-read main control panel, with quickly identifiable icons.
- Easy and fast installation system.
- Available in wall mounted and mobile version.
- Length of the arm 60 and 80 cm.

MOBILE



WALL MOUNTED



trident