



03/2016 S280GB151S00

Our policy of constant technological upgrading means that technical specifications may be subject to change without prior notice.



## S280TRC |

Where technology blends with comfort

Sede Legale ed Amministrativa / Headquarters  
CEFLA s.c.  
Via Selice Prov.le, 23/a  
40026 Imola (BO) - Italy  
Tel. +39 0542 653111  
Fax +39 0542 653344



Stabilimento / Plant  
Via Bicocca, 14/C  
40026 Imola (BO) - Italy  
Tel. +39 0542 653441 - Fax +39 0542 653601  
www.sternweber.com  
sternweber@sternweber.com



# INNOVATION IS POWER



**HEALTH FACILITY  
MANAGER**

"Stern Weber just keeps on getting better. That's why it's the benchmark brand in the Dentistry Department".



**ENDODONTICS SPECIALIST**

"First-rate materials, user-friendly controls, all-round hygiene safeguards. Stern Weber gives me everything. Workplace safety at all times."



**IMPLANTOLOGIST**

"Cutting-edge instruments, perfect control and precise settings plus a patient chair that really makes the difference. For my specialisation, Stern Weber is the very best."

Evolution aims at perfection, finest details and rigorous constant improvement. Stern Weber's DNA is based on the wonders of technology, on enthusiasm for innovation, on the strength of genuine novelty. Rigour and precision are the key aspects of each new product, and the shapes of new design infuse such products with life. We believe in flexible working, in the perfection of true talent, in the importance of concrete steps being made towards true progress. We foresee the future today to guarantee a more innovative tomorrow.

A woman with long, wavy brown hair, wearing a light blue short-sleeved button-down shirt and matching light blue trousers, is walking from left to right. She is smiling and looking towards the camera. The background is a bright, minimalist interior with large windows and a light-colored floor. The overall aesthetic is clean and professional.

# PERSONALITY ZONE

Each patient is different and, above all, so is each dentist: no-one knows this better than Stern Weber. That's why dentists who choose us are free to configure all the elements around the dental unit according to their personal preferences and so create a highly customised integrated treatment centre. Once the ergonomic configuration best suited to the dentist's operating style has been defined, it's then possible to decide how best to equip the dental unit in terms of hygiene devices, instruments, integrated multimedia and X-ray systems, foot controls, operating lights, suction system amalgam separators and all the other Stern Weber accessories.

We build dental units to provide a made-to-measure solution for you.







**Full Touch multimedia**  
With the integrated intraoral camera or integrated X-ray sensor, the Full Touch control panel microprocessor supports image management and adjustment of their basic parameters.



**USB Port**  
The Guest profile makes it possible to save a set of personalised parameters on a USB storage device. This gives a consultant operator permanent access to his/her chosen settings even if they have not been stored on the control panel memory.



**Continental**  
The accelerometer on the instrument control panel also allows the screen to be positioned horizontally.

#### Technology takes off

The main innovation is incorporated on the instrument control panels - Smart Touch and Full Touch - featuring touch-screen technology. Both offer outstanding performance: when it comes to deciding which is most suitable, the choice is yours. Smart Touch, consisting of two areas, a touch-sensitive one and another with a classic keypad, is provided as standard. The dentist interacts with dynamic menus via the touch-screen display to set hygiene parameters, adjust and personalise instrument settings and monitor all the devices integrated with the dental unit software. The keypad, instead, provides an array of rapid controls, mainly for movement of the patient chair. The optional Full Touch display, with a large 5.7" glass screen is, instead, a leap into the future, an on-board computer with a powerful microprocessor and a Linux operating system. It can be used to control the entire integrated treatment centre and its open-source platform makes it ever-ready to incorporate new functions.



The i-XS4 micromotor electronic controls include speed, torque, plus delivery rate/operation of the peristaltic pump. Personalised settings are available for execution of the guide hole, the drilling stages and implant placement.



In endodontics mode, the Full Touch software sets combined torque/speed values according to the selected file by drawing on data in preloaded library files. An integrated apex locator is also available with display on the control panel screen.



**i-XS4 brushless micromotor**  
Save up to four settings for each discipline and achieve torques (with the appropriate contra-angle) of up to 70 Ncm when executing implantology tasks.  
Speed range from 100 to 40,000 rpm  
Weight: 78 g



**Peristaltic pump**  
Integrated on the dentist's module, the peristaltic pump lets the i-XS4 micromotor be used for oral surgery operations.



**Smart Touch**  
On the International model the Smart Touch panel consists of a patient chair control keypad and a touch-sensitive display to control working parameters and show the integrated apex locator.

**Sophisticated performance at your fingertips**

Whether you're carrying out the simplest routine task or the most intricate oral surgery, outstanding precision is a must. The level of control offered by the interface will determine the degree of precision you achieve. Thanks to the Full Touch instrument control panel, comprehensive control of both working parameters and the peristaltic pump bring out the full potential of the brushless micromotor when practising surgery.

The software contains a database of certified contra-angles plus a wide selection of generic ratios. On the Full Touch panel, parameter control and data display have been optimised thanks to simplified system browsing and user-friendly graphics.



Dentists can also, in addition to setting personalised programmes, adjust scaler power, spray parameters, foot control mode and optic fibre intensity.



In addition to viewing data, the dentist can also set numerous work parameters: spray mode, foot control mode, optic fibre on/off. The control panel can also be used to personalise parameters for up to four different users.



Browsing through the menus of the integrated devices and selecting settings couldn't be simpler, ensuring dental unit hygiene is kept under careful, constant control.



**SC Scalers**  
Indicated for supragingival prophylaxis tasks of the periodontal type and for the preparation of small cavities and in endodontic root canal cleaning techniques. Power levels are shown on the display.



**i-XR3L**  
Supplied as standard, the i-XR3 micromotor is suitable for conservative and prosthetic dentistry. The 3L model incorporates LED lighting; it can be cold-disinfected.  
• Torque up to 3,3 Ncm  
• Speed range from 100 to 40,000 rpm  
• Dimensions: Ø22 x 34 mm  
• Weight: 67 g



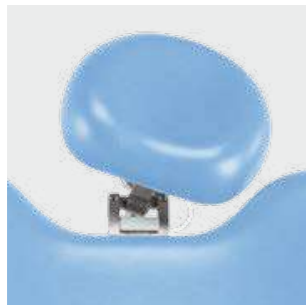
**T-LED**  
Dual-ergonomics curing light with 6 polymerisation and bonding programmes. Each programme has been optimised to prevent shrinkage (anomalous hardening and volume reduction) of the composites and achieve one overriding goal: reliable results.

**Performance, just the way you want it**

Designed together with the electronics that controls them, all Stern Weber instruments conform to strict ultra-high performance and user-friendliness criteria, with the sheer extent of the range providing excellent dental unit personalisation opportunities.

Smooth integration of instruments, dental unit and software means the dentist can take full advantage of advanced performance and inspired working simplicity.





**Atlasis**

The pneumatic second-generation headrest accompanies articular movements perfectly. Orbital adjustments can be made with just one hand; vertical movements are made via the support rod. Atlasis is available as an optional feature.



**Patient chair**

The chair has a tapered section between the seat and lumbar support, to facilitate approach and help freedom of movement for both the dentist and the assistant.



**Capacitive sensor**

The capacitive sensor, inserted inside the handle underneath the instrument control panel, is used to deactivate the pneumatic brake and then accurately lock the dentist's module in position.



**Assistant's module**

The 3-holder assistant's module, fitted on the vertically adjustable articulated arm, can be positioned at a height that best suits medical staff. An optional add-on unit with 2 instrument holders for camera and T-LED light is also available.

**Ergonomics to help you win the space race**

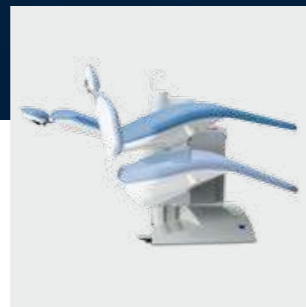
Modern ergonomics provides a host of benefits, and one is appreciated more than any other: space. A compact unit body and a patient chair that lifts up to the height of the cuspidor bowl means smoother staff workflows and frees up plenty of space underneath the backrest. When the chair is lowered, the patient can access the seat easily and comfortably. The Atlasis pneumatic headrest has become the unparalleled industry benchmark. Its orbital movement follows the patient's anatomy smoothly, ensuring precise, comfortable head positioning.



**Sixth instrument**  
On each version, it's also possible to complete the dentist's module with an optional sixth instrument: camera or curing light.



**Memory Foam**  
Available in eight colours, Memory Foam padding is ideal for long treatment sessions.



**Patient chair**  
One of the key features of the dental unit is the excellent vertical excursion of the patient chair. Type-approved to lift up to 190 kg.

#### **Wellbeing as you want it**

Your wellbeing depends on the shared wellbeing of both those who work around the patient chair and the patients. Operating comfort and patient relaxation both contribute to good treatment results. That's why Stern Weber has created a set of elements designed to make treatment stress and discomfort-free. Correct anatomic support throughout treatment guarantees comfort and relaxation. Memory Foam padding adapts perfectly to the build of any patient.



**Power Pedal Foot Control**



**Pressure-operated Foot Control**



**Multi-function Foot Control**

With the instrument extracted the dentists can invert the direction of micromotor rotation and switch the operating light on. In surgery mode it's also possible to open and close the peristaltic pump.



**Venus Plus**

- Light intensity from 8,000 to 35,000 Lux
- Potentiometer and soft-start device
- Colour temperature: 4,900 K
- 3-axis rotation



**Venus Plus - L LED**

Powerful dual-reflector LED operating light, adjustments via no-touch sensor. Available as an option.

- Light intensity from 3,000 to 50,000 Lux
- Colour temperature 5,000 K
- Low-thermal emission LED light sources

**Every choice a personal choice**

Why stop at the choice of colour or limit yourself to a certain ergonomic option when the best way to bring out your hard-earned professionalism lies in the details that follow your every single move? Stern Weber leaves the choice of foot control, operating light and the configuration of exclusive instruments - all smoothly integrated with the dental unit electronics - up to you.

There are five foot control solutions, three lead-connected and two wireless, which feature controls for patient chair movement, Chip Air and Chip Water functions and other specific controls that free the dentist's hands.

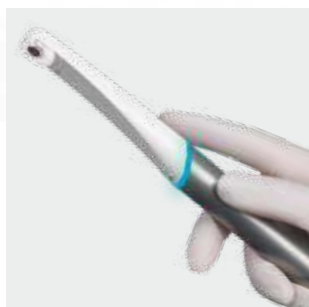
At last: freedom to operate just the way you want.



**19" LED Monitor**  
CE 93/42 certified, the 16:9 monitor comes complete with a lead for connection to the PC. LED light sources ensure outstanding contrast and brightness. A touch-screen version is also available.



**Double-articulated arm**  
For the touch-screen version the optional double-articulated arm is recommended to move the screen in closer or further away from the operating zone. The screen is also tilt-adjustable.



**C-U2 HD camera**  
The C-U2 digital camera with HD sensor provides high-resolution images directly on the Full Touch display or in full-screen mode on the 19" LED monitor. Slim handpiece design, with a tip measuring just 9.5 mm, allows distal areas to be reached with ease.



**Multi-function key**  
The backlit multi-function key lets the operator capture freeze frame images and then save them.



**Glass optics**  
The optical system, with 7 glass lenses and an F/8 aperture, ensures excellent brightness and an extensive depth of field without any need for manual focusing. Thanks to the partial retroflex and the 90° angle view, exploration of the oral cavity is simple and complete.

#### Dynamic diagnostics

A multimedia configuration complete with advanced technologies and an exclusive digital X-ray system lets you give voice to your professionalism as never before. Consisting of innovative, ergonomic instruments, the system increases working efficiency while giving free rein to individuality. The new HD intraoral camera, used in conjunction with the optional Full Touch instrument control panel, opens up new communication horizons. Eloquent images that provide clear evidence of the positive outcome of the treatment - and your talent.



**RXDC HyperSphere+**  
DC X-ray unit with integrated 30 cm collimation, designed for digital radiology. Provides pin-sharp images thanks to a focal spot of just 0.4 mm.



**Spherical ball-joint**  
A spherical ball-joint and a lock/release mechanism activated by 2 touch-sensitive areas on the tube head ensure that positioning is both fast and precise.



**Handheld wireless control device**  
The handheld wireless control device features 4 keys to adjust exposure and another key to take the X-ray. The RXDC automatically calculates the correct exposure on the basis of the selected anatomic area.



**Zen-X**  
Digital sensor with three-layer technology and CMOS receptor available in 2 sizes. Built to last and featuring rounded edges, the sensor can be positioned in the patient's mouth easily and comfortably. Simple to remove, it can be transferred onto other device-compatible machines.

**Seamless integration**

The S280TRC perfectly combines the two driving forces behind Stern Weber product development: technology and comfort. The integrated X-ray system is a case in point: the technology of an innovative DC X-ray unit, a simple handheld wireless control unit and the comfort of a system that has no need for its own installation points in the surgery. Last but not least come the extreme flexibility of the X-ray unit positioning device and a latest-generation sensor on the dentist's module. Understanding the dentist's needs and then providing an efficient response to them is our overriding priority, paving the way towards solutions designed to be universal and suitable for whoever chooses Stern Weber.



**W.H.E. (Water Hygienisation Equipment)**  
 Thanks to utilisation of **Peroxy Ag+**, a hydrogen peroxide and silver ion-based disinfectant, the continuous disinfection system, which features mains water-dental unit air gap separation, guarantees the microbiological quality of the water in the water circuits. The system complies with European standards and is DVGW-certified.



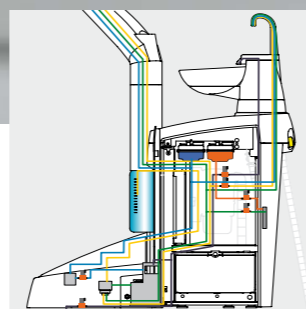
**SANASPRAY**  
 To avoid using mains water, dentists can use the SANASPRAY system, which supplies distilled water from the pressurised tank mounted externally on the unit body. A second dedicated tank can be used for manual disinfection of the circuits. The use of **Peroxy Ag+** disinfectant is recommended.



**A.C.V.S.**  
 Automatic system that carries out suction system sanitisation cycles between one patient and another.



**Automatic Chip Air**  
 This system, featured as standard, automatically emits an air jet when you stop using dynamic instruments so as to clean any residual liquids or solids from the handpiece.



- BIOSTER
- W.H.E.
- SANASPRAY
- A.C.V.S.
- Mains water

**Maximising effectiveness through active defence**

The joint use of systems and substances designed to disinfect the water circuits constitutes nothing less than a solid 'wall' against contamination in the surgery. **Peroxy Ag+** (H<sub>2</sub>O<sub>2</sub>) acts against all water-borne contaminants, including Legionella. While the **W.H.E.** system executes a continuous disinfection process, the **BIOSTER** system carries out automatic spray water circuit disinfection cycles, just perfect for efficient end-of-work protection. The **I.W.F.C.**, the device included in the **BIOSTER** system or available separately, ensures conduits are cleaned after the machine has been idle for a set period. With daily execution of an intensive **BIOSTER** disinfection cycle, checks made over a 90-day period on a working dental unit demonstrated a bacterial load of zero in the water delivered using the W.H.E. system.

*Orrù et al. - Evaluation of Antimicrobial - Antibiofilm Activity of a Hydrogen Peroxide Decontaminating System used in Dental Unit Water Lines - The Open Dentistry Journal, 2010; 4: 140-146*  
*Orrù et al. - Valutazione dell'attività antimicrobica di un sistema decontaminante a base di perossido d'idrogeno. Risultati in vitro e su riunito odontoiatrico - Il Dentista Moderno 2006; dicembre: 60-71*



**Removable elements**  
In addition to upholstery and other removable elements on the dental unit, the cuspidor bowl and cup-and-bowl fill unit can be disassembled to allow their proper sanitisation. An optional ceramic cuspidor bowl is also available.



**Autoclavable parts**  
Numerous parts can be autoclaved: the handles on the Venus Plus-L LED operating light, the cannulae terminals, the stainless steel tray holder and the removable handpiece support mat in silicon.



**Double filters**  
The double suction filters fit flush with the unit body. Extensive filtration surface area reduces emptying frequency. Automatic and independent selection of cannulae is available.



**Cannula roller guides**  
Holder guides provide support during extraction and replacement of the suction cannulae. The roller housing can easily be removed for disinfection and cleaning purposes.



**Easy access**  
The unit body covers the entire side of the unit. Makes access for maintenance tasks easier.



**Disposable covers**  
Disposable covers for dentist's and assistant's control panels. On the Full Touch version a special key temporarily deactivates the touch-sensitive screen to allow cleaning without interfering with the controls.

S280TRC	INTERNATIONAL	CONTINENTAL
---------	---------------	-------------

#### HYGIENE SYSTEMS

BIOSTER	*	*
A.C.V.S.	*	*
SANASPRAY	*	*
W.H.E.	*	*
I.W.F.C.	*	*

#### DENTIST'S MODULE

Full Touch Display	*	*
Micromotor i-XR3L with f.o. (100 – 4,000 rpm)	●	●
Micromotor i-XS4 with f.o. (100 – 40,000 rpm)	*	*
Peristaltic pump module	*	*
6-way syringe with f.o.	*	*
Sixth instrument	*	*
X-ray viewer for panoramic X-rays	*	-
Integrated sensor	*	*
Integrated Apex locator	*	*

#### UNIT BODY

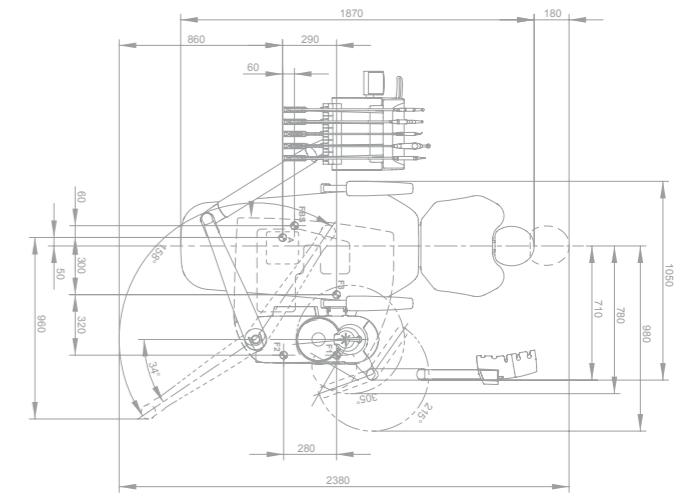
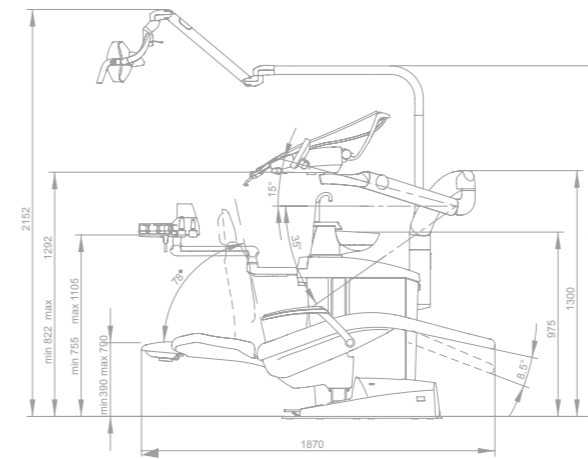
Glass cuspidor bowl	●	●
Ceramic cuspidor bowl	*	*
Cuspidor bowl drive system	*	*
Cup water heater	●	●
Spray heating	*	*
Independent cannulae selection	●	●
Suction stop device on chair base	●	●
Multimedia applications wiring	●	●
Transthoracic tray holder	*	-
Dentist's module tray holder	*	●
Assistant's tray holder	*	*
Venus Plus light	●	●
Venus Plus-L LED light	*	*

#### PATIENT CHAIR

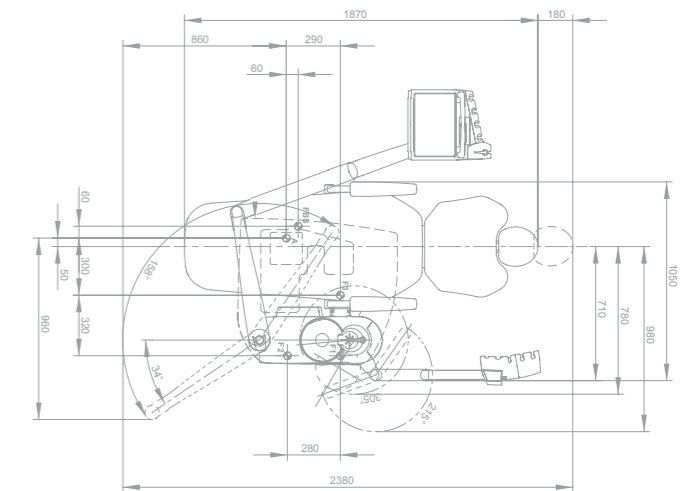
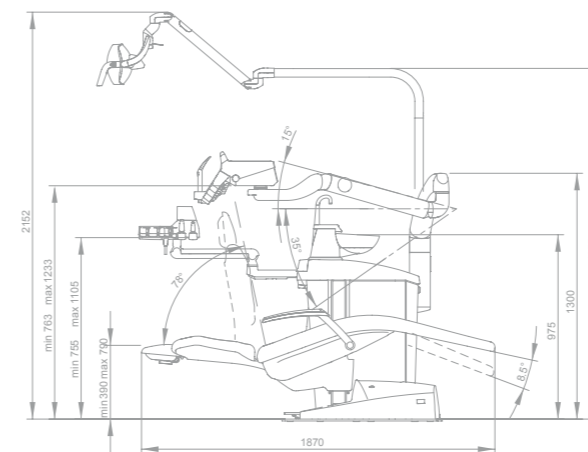
Atlaxis headrest	*	*
Mobile, removable right armrest	*	*
Left armrest	●	●
Child's cushion	*	*
Multi-function foot-control	●	●
Pressure-operated foot control	*	*
Power Pedal foot control	*	*
Multi-function foot-control (wireless)	*	*
Pressure-operated foot control (wireless)	*	*
Full seat cover for patient chair	*	*

● as standard \* optional - not available

#### CONTINENTAL



#### INTERNATIONAL



Dimensions are quoted in millimetres.

